

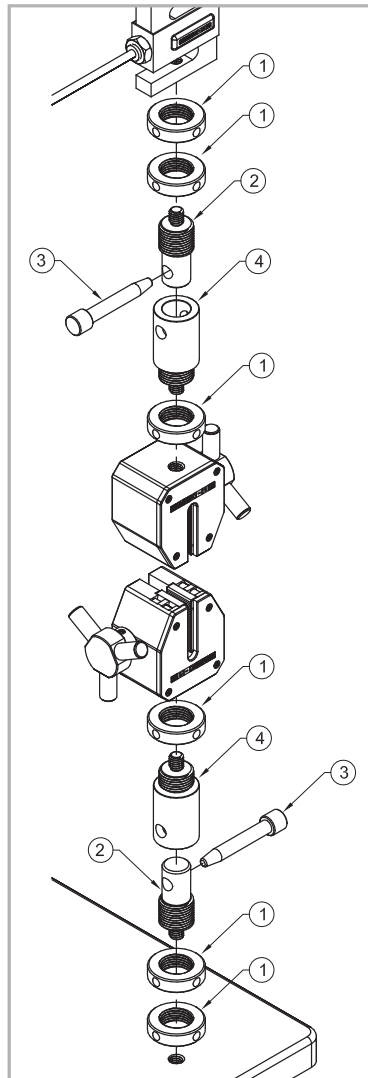


These adapters provide a commonly accepted industry method of attaching fixtures to load cells and test frames. They prevent grip rotation and allow for quick removal and installation.

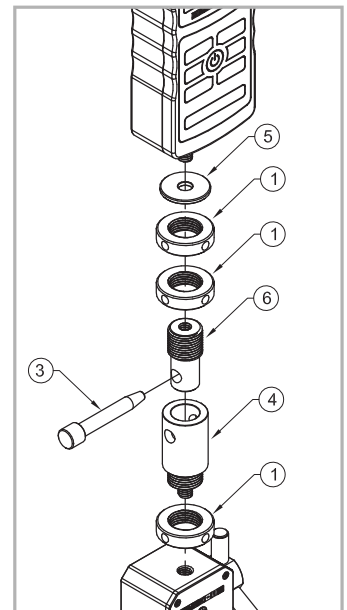
Several thread sizes and variations are available to suit most common test frames, load cells, grips, and force gauges. Eye ends and adapters are available individually or as kits.

◀ Eye end adapter is shown with a wedge grip and motorized test stand.

Load Cell / Test Frame Configuration



Force Gauge Configuration



| Item No. | Part No. | Description |
|-----------|----------|--------------------------------|
| 1 | G1079 | Lock ring, 3/4-16 |
| 2 | G1081 | Eye end, #10-32M |
| | G1081-1 | Eye end, 5/16-18M |
| | G1081-2 | Eye end, 1/2-20M |
| | G1081-3 | Eye end, 1/4-28M |
| 3 | G1080 | Anchor pin |
| 4 | G1083 | Eye end adapter, #10-32M |
| | G1083-1 | Eye end adapter, 5/16-18M |
| | G1083-2 | Eye end adapter, 1/2-20M |
| 5 | G1084 | Washer, 0.20 ID |
| | G1084-1 | Washer, 0.32 ID |
| | G1084-2 | Washer, 0.51 ID |
| 6 | G1082 | Eye end, #10-32F |
| | G1082-1 | Eye end, 5/16-18F |
| Not shown | G1088 | Spanner wrench (see next page) |

Kits

Base / Load Cell Adapter Kits

| AC1047 | AC1047-1 | AC1047-2 | AC1047-3 | AC1047-4 | Item No. | Part No. | Qty. |
|--------|----------|----------|----------|----------|----------|----------|------|
| X | | | | X | 2 | G1081 | 1 |
| | X | | | | 2 | G1081-1 | 1 |
| | | X | | | 2 | G1081-2 | 1 |
| | | | X | | 2 | G1081-3 | 1 |
| X | X | X | X | X | 3 | G1080 | 1 |
| X | X | X | X | X | 1 | G1079 | 2 |
| | | | | X | 5 | G1084 | 1 |



AC1047

AC1047-1



AC1047-2

AC1047-3



AC1047-4

Grip Adapter Kits

| AC1046 | AC1046-1 | AC1046-2 | Item No. | Part No. | Qty. |
|--------|----------|----------|----------|----------|------|
| X | | | 4 | G1083 | 1 |
| | X | | 4 | G1083-1 | 1 |
| | | X | 4 | G1083-2 | 1 |
| X | X | X | 1 | G1079 | 1 |



AC1046

AC1046-1



AC1046-2

Force Gauge Adapter Kits

| AC1045 | AC1045-1 | AC1045-2 | Item No. | Part No. | Qty. |
|--------|----------|----------|----------|----------|------|
| X | | | 6 | G1082 | 1 |
| | X | | 2 | G1081-2 | 1 |
| | | X | 6 | G1082-1 | 1 |
| X | | | 5 | G1084 | 1 |
| | X | | 5 | G1084-1 | 1 |
| X | X | X | 1 | G1079 | 2 |
| X | X | X | 3 | G1080 | 1 |
| | | X | 5 | G1084-2 | 1 |



AC1045

AC1045-1



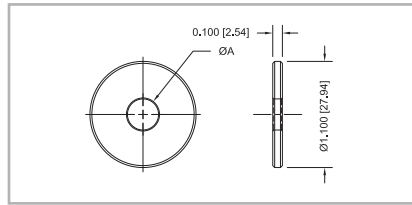
AC1045-2

Kit Compatibility Chart

| Model No. | Description | Compatibility |
|-----------|--|---|
| AC1047 | Base / load cell adapter kit, #10-32M | - Test stand bases w/ #10-32 mounting |
| AC1047-1 | Base / load cell adapter kit, 5/16-18M | - Test stand bases w/ 5/16-18 mounting |
| AC1047-2 | Base / load cell adapter kit, 1/2-20M | - Test stand bases w/ 1/2-20 mounting - Models MR01-300 / -500 / -750 / -1000 / -1500 / -2000 load cells |
| AC1047-3 | Base / load cell adapter kit, 1/4-28M | - Models MR01-50 / -100 / -200 load cells |
| AC1047-4 | Load cell adapter, Series R03, #10-32M | - Series R03 load cells |
| AC1046 | Grip adapter kit, #10-32M | - Grips with #10-32 mounting |
| AC1046-1 | Grip adapter kit, 5/16-18M | - Grips with 5/16-18 mounting |
| AC1046-2 | Grip adapter kit, 1/2-20M | - Grips with 1/2-20 mounting |
| AC1045 | Force gauge adapter kit, #10-32F | - Force gauges up to 100 lbf capacity |
| AC1045-1 | Force gauge adapter kit, 5/16-18F | - Force gauges with 200, 300, and 500 lbf capacities |
| AC1045-2 | Force gauge adapter kit, 1/2-20M | - Models M5-750 - M5-2000 force gauges |

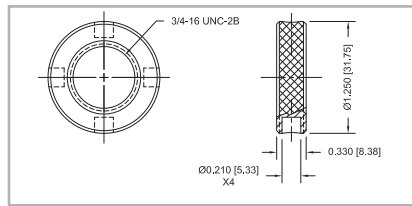
Individual Components

G1084-X Jam Washers



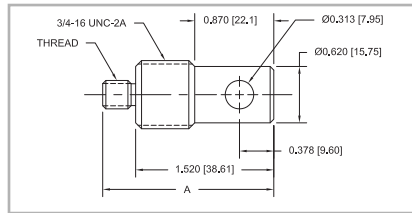
| Part No. | ØA | Weight lb [kg] |
|----------|-------------|----------------|
| G1084 | 0.20 [5.1] | 0.03 [0.01] |
| G1084-1 | 0.32 [8.2] | 0.03 [0.01] |
| G1084-2 | 0.51 [12.9] | 0.03 [0.01] |

G1079 Lock Ring



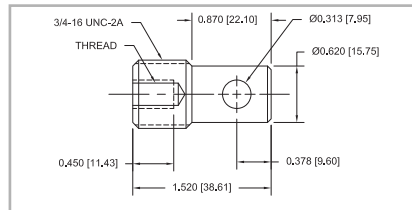
| Weight lb [kg] |
|----------------|
| 0.07 [0.03] |

G1081-X Eye Ends



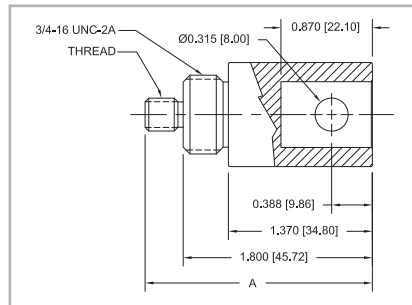
| Part No. | A | Thread | Weight lb [kg] | Capacity lbF [kN] |
|----------|-------------|---------|----------------|-------------------|
| G1081 | 1.82 [46.2] | #10-32 | 0.13 [0.06] | 200 [1] |
| G1081-1 | 1.88 [47.8] | 5/16-18 | 0.14 [0.06] | 500 [2.5] |
| G1081-2 | 2.02 [51.3] | 1/2-20 | 0.15 [0.07] | 2,000 [10] |
| G1081-3 | 1.87 [47.5] | 1/4-28 | 0.13 [0.06] | 200 [1] |

G1082-X Eye Ends



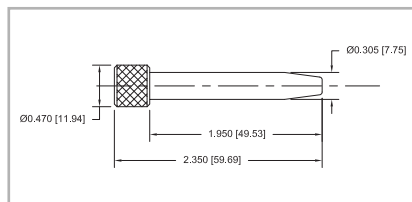
| Part No. | Thread | Weight lb [kg] | Capacity lbF [kN] |
|----------|---------|----------------|-------------------|
| G1082 | #10-32 | 0.13 [0.06] | 200 [1] |
| G1082-1 | 5/16-18 | 0.14 [0.05] | 500 [2.5] |

G1083-X Eye Ends



| Part No. | A | Thread | Weight lb [kg] | Capacity lbF [kN] |
|----------|-------------|---------|----------------|-------------------|
| G1083 | 2.10 [53.3] | #10-32 | 0.26 [0.12] | 200 [1] |
| G1083-1 | 2.16 [54.9] | 5/16-18 | 0.26 [0.12] | 500 [2.5] |
| G1083-2 | 2.30 [58.4] | 1/2-20 | 0.28 [0.13] | 2,000 [10] |

G1080 Anchor Pin



| Weight lb [kg] |
|----------------|
| 0.06 [0.03] |

G1088 Spanner Wrench

