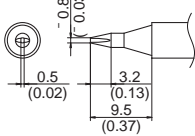
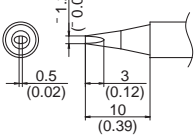
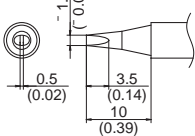
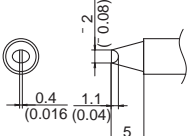
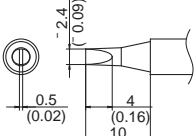
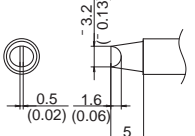
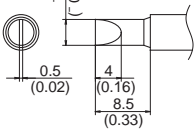
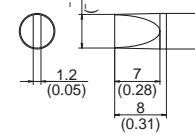
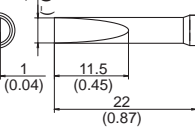
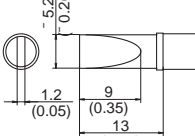
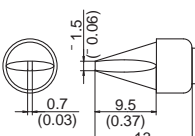
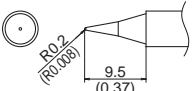
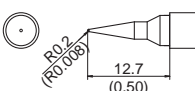
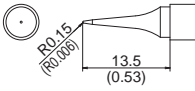
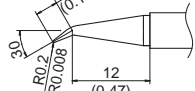
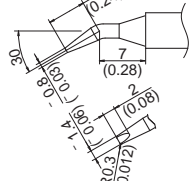
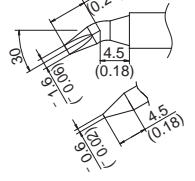
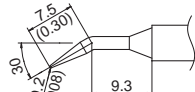
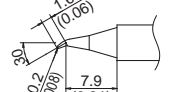
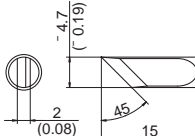
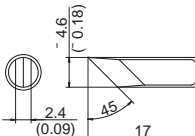
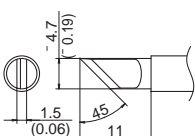
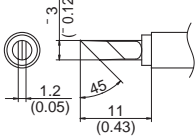
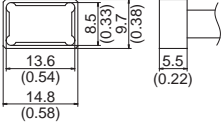
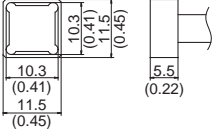
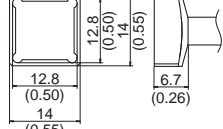

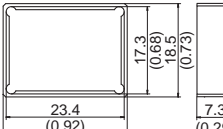
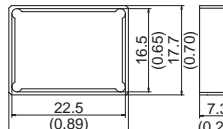
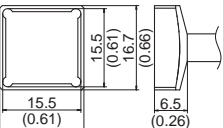
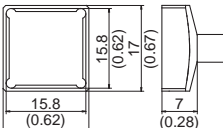
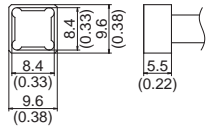
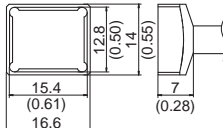
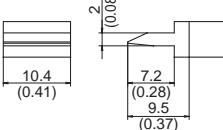
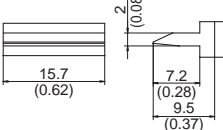
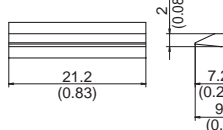
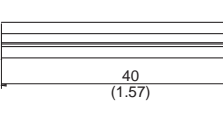
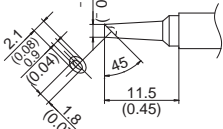
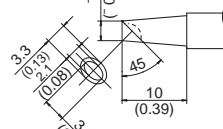
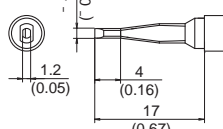
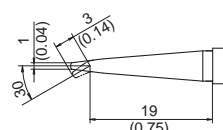


	<p>T15-B SHAPE-B</p>	<p>T15-B2 SHAPE-0.5B</p>	<p>T15-B3 SHAPE-0.7B</p>
SHAPE B	<p>T15-B4 SHAPE-0.4B</p>	<p>T15-BLL SHAPE-BL LONG</p>	
	<p>T15-BC1 SHAPE-1BC T15-BCF1*</p>	<p>T15-BC2 SHAPE-2BC T15-BCF2*</p>	<p>T15-BC3 SHAPE-3BC T15-BCF3*</p>
SHAPE BC	<p>T15-BC12 SHAPE-1.2BC</p>	<p>T15-BC15 SHAPE-1.5BC</p>	<p>T15-BC28 SHAPE-2.8BC</p>
	<p>T15-C1 SHAPE-1C</p>	<p>T15-CF2* SHAPE-2C</p>	<p>T15-CF3* SHAPE-3C</p>
SHAPE C	<p>T15-C4 SHAPE-4C T15-CF4*</p>		

	<p>T15-D08 SHAPE-0.8D</p> 	<p>T15-D12 SHAPE-1.2D</p> 	<p>T15-D16 SHAPE-1.6D</p> 
SHAPE D	<p>T15-D2 SHAPE-2D</p> 	<p>T15-D24 SHAPE-2.4D</p> 	<p>T15-D32 SHAPE-3.2D</p> 
	<p>T15-D4 SHAPE-4D</p> 	<p>T15-D52 SHAPE-5.2D</p> 	<p>T15-DL4 SHAPE-4D LONG</p> 
	<p>T15-DL52 SHAPE-5.2D LONG</p> 	<p>T15-XD15 SHAPE-1.5XD</p> 	
SHAPE I	<p>T15-I SHAPE-I</p> 	<p>T15-IL SHAPE-IL</p> 	<p>T15-ILS SHAPE-ILS</p> 
SHAPE J	<p>T15-J02 SHAPE-0.2J</p> 	<p>T15-JD14 SHAPE-1.4JD</p> 	<p>T15-JD16 SHAPE-1.6JD</p> 
	<p>T15-JL02 SHAPE-0.2JL</p> 	<p>T15-JS02 SHAPE-0.2JS</p> 	
SHAPE K	<p>T15-K SHAPE-K</p> 	<p>T15-KF SHAPE-KF</p> 	<p>T15-KL SHAPE-KL</p> 
	<p>T15-KU SHAPE-KU</p> 		

SHAPE R	T15-R20 SHAPE-2.0R 	T15-R23 SHAPE-2.3R 	T15-R27 SHAPE-2.7R
	T15-R34 SHAPE-3.4R 	T15-R48 SHAPE-4.8R 	
SHAPE SB	T15-SB02 SHAPE-0.2SB 	T15-SB03 SHAPE-0.3SB 	T15-SB05 SHAPE-0.5SB
	T15-SB08 SHAPE-0.8SB 	T15-SBC04 SHAPE-0.4SBC 	T15-SBS04 SHAPE-0.4SBS
	T15-SBS07 SHAPE-0.7SBS 		
TUNNEL	T15-1001** TUNNEL 5.1 x 4.6 	T15-1002** TUNNEL 5.1 x 10.4 	T15-1003** TUNNEL 9.5 x 18.3
	T15-1004** TUNNEL 9.5 x 15.8 	T15-1005** TUNNEL 9.5 x 13.2 	T15-1006** TUNNEL 6.9 x 11.4
	T15-1007** TUNNEL 7.9 x 18.8 	T15-1008** TUNNEL 19.5 x 10.2 	T15-1009** TUNNEL 13.4 x 20.5
	T15-1010** TUNNEL 19.5 x 12 		

	<p>T15-1201** QUAD 13.6 × 8.5</p> 	<p>T15-1202** QUAD 10.3 × 10.3</p> 	<p>T15-1203** QUAD 12.8 × 12.8</p> 	
QUAD	<p>T15-1204** QUAD 17.9 × 17.9</p> 	<p>T15-1205** QUAD 23.4 × 17.3</p> 	<p>T15-1206** QUAD 22.5 × 16.5</p> 	
	<p>T15-1207** QUAD 15.5 × 15.5</p> 	<p>T15-1208** QUAD 15.8 × 15.8</p> 	<p>T15-1209** QUAD 8.4 × 8.4</p> 	
	<p>T15-1210** QUAD 15.4 × 12.8</p> 			
		<p>T15-1401** SPATULA 10.4</p> 	<p>T15-1402** ATULA 15.7</p> 	<p>T15-1403** SPATULA 21.2</p> 
SPATULA	<p>T15-1406** SPATULA 40</p> 			
SPECIAL APPLICATIONS TYPE	<p>T15-BCM2 SHAPE-2BC Bevel with indent***</p> 	<p>T15-BCM3 SHAPE-3BC Bevel with indent***</p> 	<p>T15-1603** SHAPE-LONG REACH CHISEL</p> 	
	<p>T15-1605** SHAPE-LONG REACH BENT CHISEL</p> 			

* Tinned on the soldering surface only.

** The iron tips marked with double asterisks (**) have a temperature accuracy of ± 25 C (± 45 F). Others have a temperature accuracy of ± 15 C (± 27 F).

*** The part numbers T15-BCM2 and T15-BCM3 are not available for sale or use in the U.S.A.